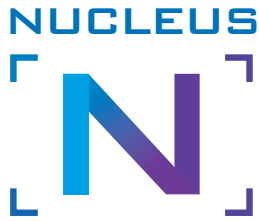


TILTAMAX



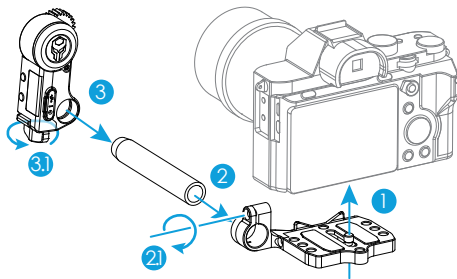
SINGLE CHANNEL WIRELESS LENS CONTROL  
WLC-T04

Packing List:

- Nucleus-Nano Motor x1
- Nucleus-Nano Handwheel Controller x1
- 15mm Single Rod Mounting Baseplate x1
- 15mm x 100mm Aluminum Black Rod x1
- Photo Lens Follow Focus Gear Ring x 2
- Handwheel Attachment Plate for G2X and Ronin-S x1
- Handwheel Attachment Adapter for Zhiyun Crane x1
- Micro USB to Micro USB Nano Motor Power Cable x1
- 14500 Dual Battery Charger x1
- 14500 Batteries x2
- M4 Allen Key x1
- M6 Allen Key x1
- User Guide x1
- Cardboard Box x1

1

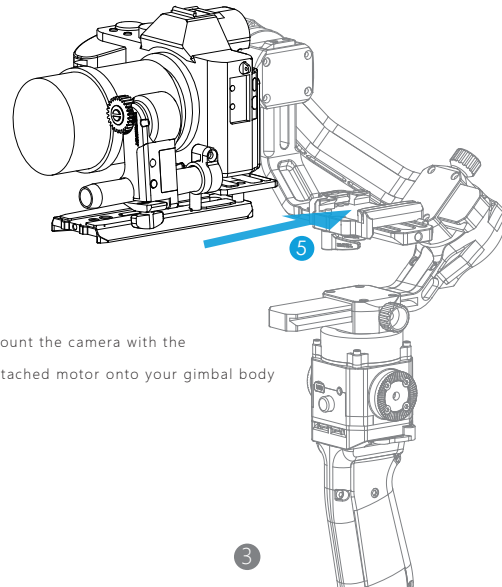
Attaching the Motor



- 1 Use 1/4"-20 screw to mount the baseplate to the camera body
- 2 Insert the rod into the 15mm Single Rod Mounting Baseplate
- 3 Loosen the motor's hand-tightened screw and attach the motor to the rod. Rotate the motor so that it rests against the lens' focus gear, then tighten the screw.

1

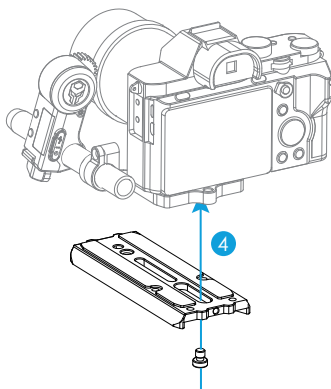
- 5 Mount the camera with the attached motor onto your gimbal body



3

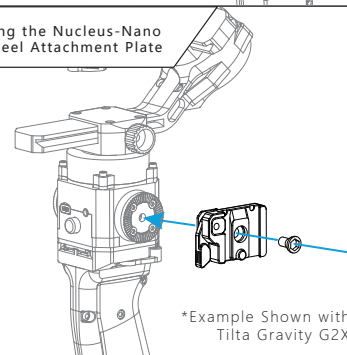
2

Attaching the Nucleus-Nano Handwheel Attachment Plate



- 4 Use a 1/4"-20 screw to attach the gimbal's baseplate to the 15mm Single Rod Mounting Baseplate.

2



\*Example Shown with  
Tilta Gravity G2X

TILTA GRAVITY G2X and DJI RONIN-S

Use the included M6 screw to attach the plate to the handle of the Gravity G2X and the Ronin-S's M4 screw to attach it to the handle of the Ronin-S

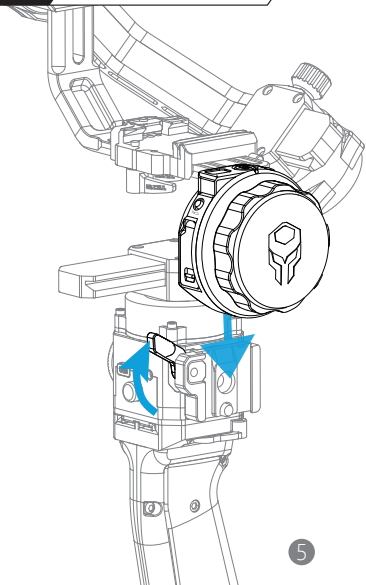
ZHIYUN CRANE

Loosen the hand-tightened screw of the Handwheel Attachment Plate Adapter for Zhiyun Crane, then clamp it around the handle of the gimbal. Tighten the hand-tightened screw to secure the adapter. Then use the included M6 screw to attach the Handwheel Attachment Plate.

4

### 3

#### Attaching the Handwheel



Make sure the red toggle is flipped to the upmost position. Next, slide the handwheel into the plate and lower the red toggle to lock it into place.

5

### 2. Auto-calibrate the motor to the range of the lens

For lenses with hard stops at close focus and infinity  
Hold **[Cal]** button for 3 seconds to engage the motor's auto-calibration

For lenses with no hard stops at close focus and infinity  
Turn the handwheel to where your lens reads close focus and double press **[Cal]** to set the close focus end of the handwheel  
Turn the handwheel to where your lens reads infinity and double press **[Cal]** to set the infinity end of the handwheel.  
The manual calibration is now complete.

### 3. Setting an A-B range to the handwheel

Rotate the handwheel to the desired position of the A mark and press **[SET]** to create an A mark. Then rotate the handwheel to the desired position of the B mark and press **[SET]** to create a B mark.

The LCD display will show the marks that you have set. Simply press **[SET]** again to delete your A-B range.



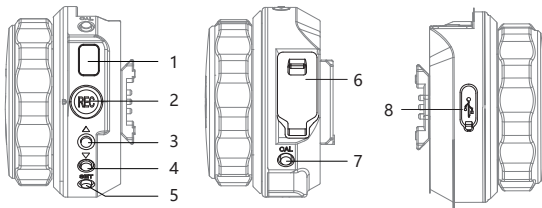
### 4. How to use the R/S function

Link your camera's compatible R/S cable (optional) from your camera's R/S port into the Nucleus-Nano Motor's LANC port. Then click **[REC]** to start/stop the record function on your camera.

8

### FUNCTION

#### Nucleus-Nano Handwheel



1. Menu Display Screen
2. Power and R/S control
3. UP button
4. DOWN button
5. SET button
6. Battery Compartment
7. Calibration button
8. Micro-USB port

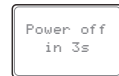
#### POWER ON/OFF

Press **[REC]** to power unit on



Hold **[REC]**

The unit will turn off in 3 sec



6

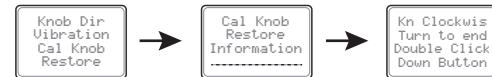
### 5. Calibrate Handwheel

5.1 When do you need to calibrate the handwheel?

When turning the handwheel to the close focus or infinity end of its range, the motor quickly spins back to the other side of its calibrate range.

5.2 How to calibrate the handwheel?

Hold the **△** button to enter the handwheel's menu then cycle through the menu to find **[Cal Knob]**. Press the **▽** button to find **[Cal Knob]** then double click the **△** button to confirm and follow the on screen instructions.



### 6. Assigning the Wireless Control



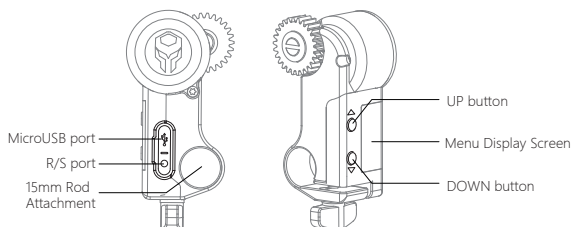
Double click **[SET]** to switch back and forth from **MASTER** and **SLAVE** modes

**MASTER:** The Nucleus-Nano Handwheel Controller is in control of the Nano Motor  
**SLAVE:** Releases the control from the Nucleus-Nano Handwheel controller to either the Nucleus-M's FIZ hand unit or Nucleus-M hand grips.

9

### FUNCTION

#### Nucleus-Nano Motor



### USER GUIDE

#### 1. Set the Channel



Use the **△**/**▽** buttons to adjust the channel numbers of both the handwheel and motor to the same channel so that they can communicate with each other.

7



WeChat APP



Official Tilta Website